

## ■ Features

- ★ Stable frequency
- ★ High reliability and precision
- ★ Achieved low phase noise

## ■ Application

- ★ Computer control
- ★ Cordless telephone
- ★ Automobile telephone



## ■ Specification (Characteristics)

### FREQUENCY CHARACTERISTICS

Parameters	Min	Max	Units	Condition
Frequency range	8.0	40.0	MHz	
Frequency calibration	0.5	2.0	±ppm	@25°C
Frequency stability over temperature	±0.1, ±0.2, ±0.5, ±1.0, ±2.0 ppm			
Supply voltage stability	0.05	0.3	±ppm	±5%@25°C
Load sensitivity	0.05	0.2	±ppm	±10%@25°C
Aging/year	0.8	2.0	±ppm/year	@25°C

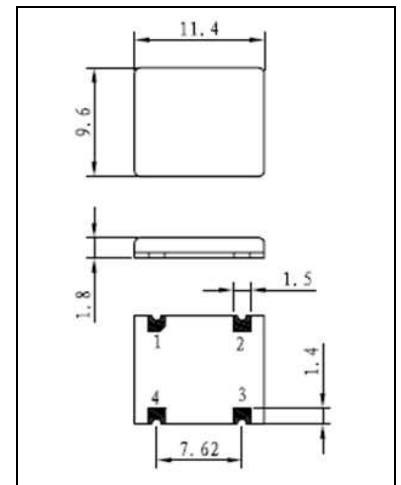
### POWER SUPPLY

Parameters	Min	Max	Units
Supply voltage	+2.8	+3.3	V±5%
Current	1.5	5.0	mA
Voltage control	0.5	2.5	V

### OSCILLATOR OUTPUT

Parameters	Min	Max	Units
Output waveform	C: clipped Sine	H:HCMOS	T:TTL
Output load resistance	10kΩ//10pF	1kΩ//15pF	

## ■ Dimension (Unit: mm)



## ■ Pin Connection

PIN 1	V control (or N/C)
PIN 2	GND
PIN 3	Freq output
PIN 4	Supply voltage

## ■ Part Number and Ordering

Part Number Code	Holder Type + Frequency + Tolerance + Stability VS Temp. + Operating Temp. + PPM/VDC + Input Voltage
Ordering Code	Same as Above
Example	TCXO-S1109-25.0M-0.3-0.1-0/70-15/5-5V