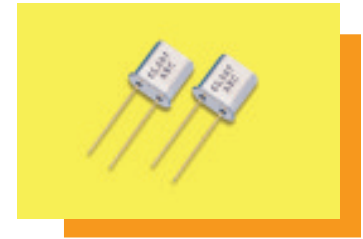


Features

- ★ Precise tolerance and
- ★ Stability over temperature
- ★ Large range of choice of frequency
- ★ Offer fitted insulators

Applications

- ★ Communications
- ★ Long distance cordless phones
- ★ Telemetry
- ★ Pagers
- ★ Automotive electronics



Dimension (Unit: mm)

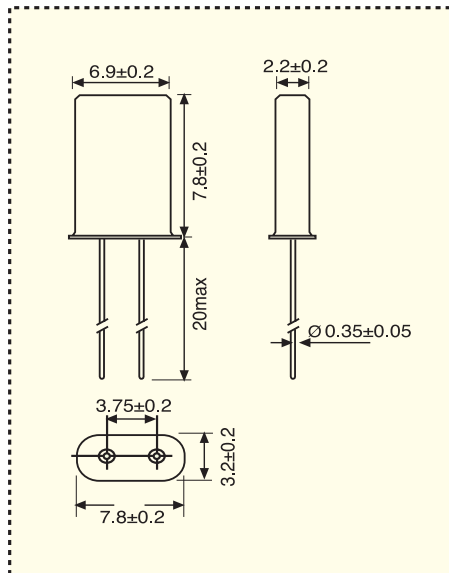


Table 1

Frequency Range (MHz)	Vibration Mode	ESR Max (Ω)
3.2 ~ 3.9	Fund.	200
4.00 ~ 4.99	Fund.	150
5.0 ~ 9.9	Fund.	60
10.0 ~ 14.9	Fund.	40
15.0 ~ 40.0	3rd O/T	30
25.0 ~ 29.9	3rd O/T	50
30.0 ~ 49.9	3rd O/T	45
50.0 ~ 100.0	3rd O/T	60
75 ~ 160.00	5th O/T	80

Specifications (Characteristics)

Item	Symbol	Specifications
Frequency Range	f	3.5 ~ 160MHz
Vibration Mode	-	Fund (3.5 ~ 40MHz) 3rd O/T (25 ~ 100MHz) 5th O/T (75 ~ 160MHz)
Frequency Tolerance at 25°C	$\Delta f/f$	± 10 ppm ± 20 ppm ± 30 ppm ★
Frequency Stability in Operating Temp. Range	$\Delta f/f$	± 5 ppm ± 10 ppm ± 20 ppm ± 30 ppm ★
Load Capacitance	CL	10 ~ 32pF or series
Operating Temp. Range	Topr	-10°C ~ +60°C ★ -20°C ~ +70°C
Storage Temp. Range	Tstg	-40°C ~ +85°C
Equivalent Series Resistance (ESR)	Rs	See Table 1
Drive Level	PWR	1mW Max.
Shunt Capacitance	C0	7.0pF Max.
Aging	fa	± 3 ppm /Year (Max)
Packing		Bulk 100pcs per polybags, 500pcs per inner box, 10,000pcs per export carton Tape and Reel Packages 1,000pcs per reel 10,000pcs per export carton

★ Commonly Used

Part Number and Ordering

Part Number Code	Holder Type + Frequency + Mode of Vibration+ Tolerance/Stability + RS + CL
Ordering Code	Same as Above
Example	UM1-20.45M-AF-10/10-25 Ω -30P