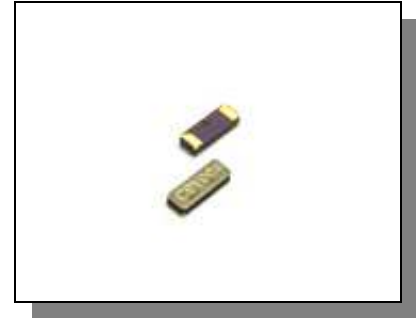


■ Features

- ★ Appropriate for high density circuit board
- ★ Highly stable characteristics
- ★ Suitable for small mobile telecommunication devices

■ Application

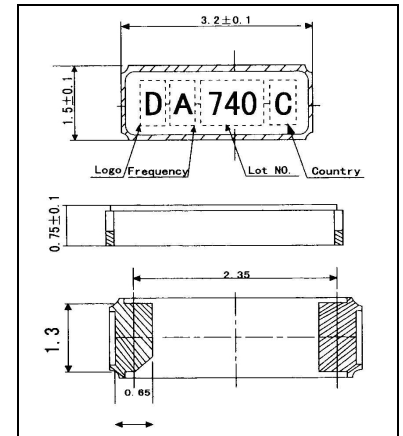
- ★ Watch and Clock
- ★ Remote Control
- ★ Telecommunication equipment
- ★ Consumer Electronics
- ★ Instrumentation
- ★ Audio/Video



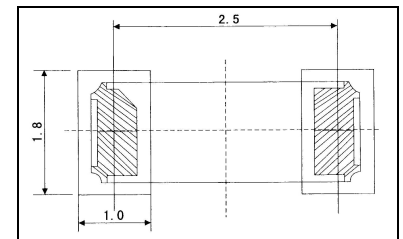
■ Specification (Characteristics)

| Item | Specification |
|-----------------------------|--------------------------------------|
| Frequency Range | 32.768 KHz |
| Load Capacitance | 7 pF, 9 pF, 12 pF |
| Drive Level | 0.2 μ W (1.0 μ W Max.) |
| Frequency Tolerance | ± 20 ppm ~ ± 100 ppm |
| Series Resistance | 80 K Ω Max |
| Turnover Temperature | -25 \pm 5 $^{\circ}$ C |
| Temperature Coefficient | -0.04 ppm/ $^{\circ}$ C ² |
| Operating Temperature Range | -40 ~ +85 $^{\circ}$ C |
| Storage Temperature Range | -40 ~ +85 $^{\circ}$ C |
| Motional Capacitance | 0.0028 pF Typical |
| Shunt Capacitance | 1.3 pF Typical |
| Packing Unit | 3000 pcs/reel |

■ Dimension (Unit: mm)



■ Recommended Soldering



■ Part Number and Ordering

| Part Number Code | Holder Type + Frequency + Tolerance + CL |
|------------------|--|
| Ordering Code | Same as Above |
| Example | ZM315-32.768K-20-12.5P |

■ Internal Connections

