

Features

- ★ Low cost
- ★ Ex-stock available

Applications

- ★ Microprocessor system
- ★ VCD player
- ★ Home appliance
- ★ Cassette recorder
- ★ Automotive electronics
- ★ Communication equipment
- ★ TV



ZTA MG



ZTA MX

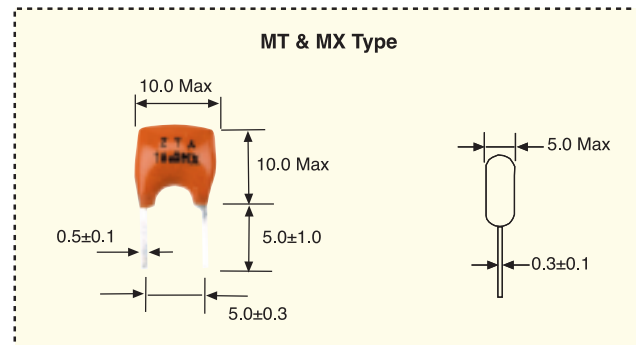
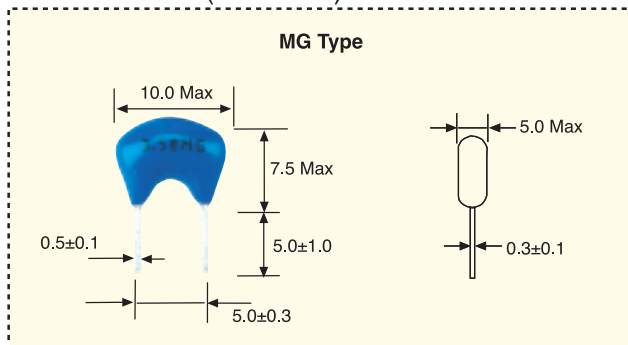


ZTA MT

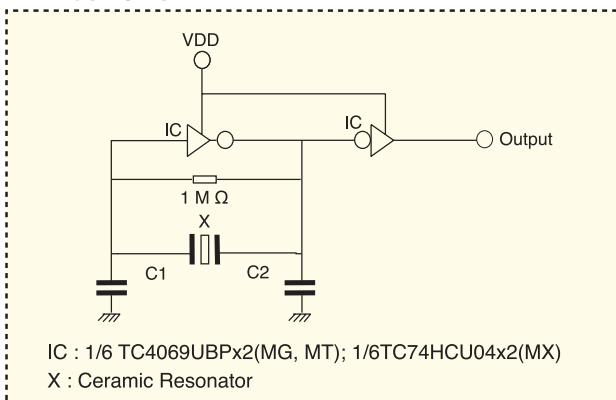
Specifications (Characteristics)

Part Number	Frequency Range	Frequency Accuracy	Stability in Temperature (-20°C~+80°C)	Aging for Ten Years	Load Capacitance		Package
					C1	C2	
ZTA MG	1.80~8.00MHz	±0.5%	±0.3%	±0.3%	30pF		500pcs / bag
ZTA MT	6.01~13.00MHz	±0.5%	±0.3%	±0.3%	30pF		
ZTA MX	12.00~60.00MHz	±0.5%	±0.3%	±0.3%	30pF (13.01~20.0MHz)	15pF (20.01~25.99MHz) 5pF (26.00~60.00MHz)	

Dimension (Unit : mm)



Test Circuit



Ordering Code

Part Number Code	Holder Type + Frequency + Design Mode
Ordering Code	Same as Above
Example	ZTA1.80MG
	ZTA8.00MT
	ZTA24.0MX