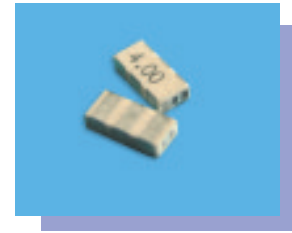


## Features

- ★ Small size
- ★ Very low profile

## Applications

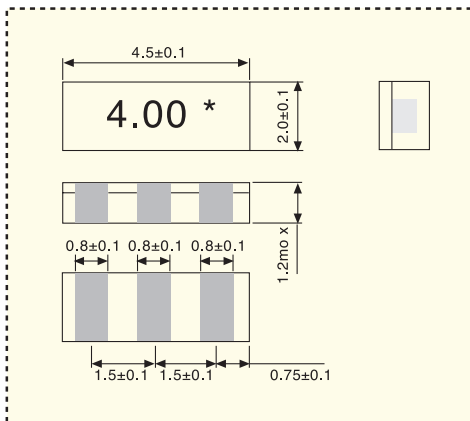
- ★ Consumer electronics
- ★ Office automation equipments
- ★ Cordless telephones
- ★ Audio-visual applications
- ★ Automotive electronics



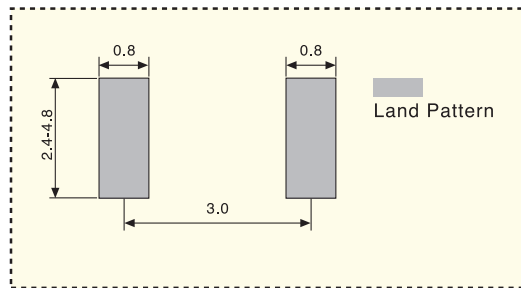
## Specifications (Characteristics)

Item	Specifications
Frequency Range	4MHz~8.00MHz
Frequency Accuracy	± 0.5%
Temperature Stability at -20°C ~ +80°C	± 0.2%
Load Capacitance	30pF
Aging for 10 years	± 0.2% max
Applicable IC	1/6 TC 4069 UBP x 2
Package	3000pcs / reel

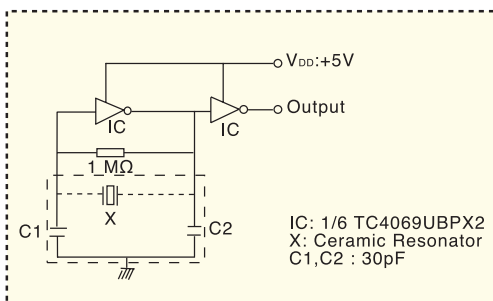
## Recommended Land Pattern



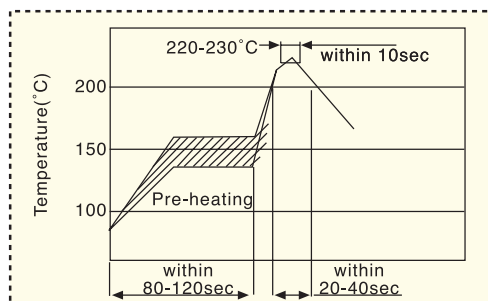
## Dimensions (Unit : mm)



## Test Circuit



## Recommended Reflow Soldering



## Ordering Code

Part Number Code	Holder Type + Frequency + Design Mode
Ordering Code	Same as Above
Example	ZTACR4.19MG