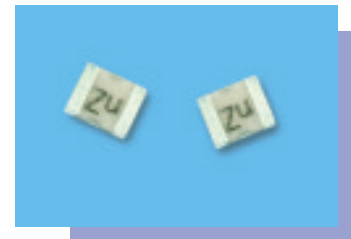


## Features

- ★ Low cost
- ★ Without built in capacitor
- ★ Small size
- ★ High frequency range

## Applications

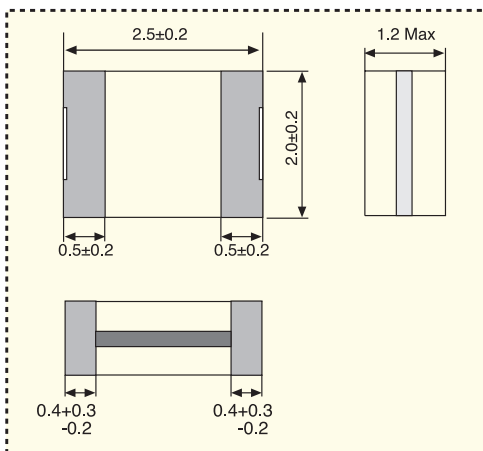
- ★ Consumer electronics



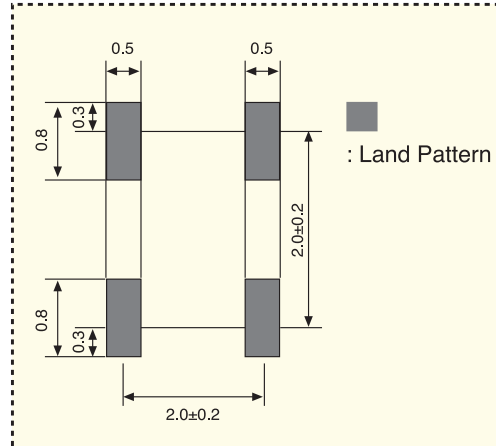
## Specifications (Characteristics)

Item	Specifications
Frequency Range	20MHz~60MHz
Frequency Accuracy	± 0.5%
Temperature Stability at -25°C ~ +85°C	± 0.3%
Load Capacitance	C1, C2 : 15pF(20 ~ 25.99MHz) 5pF(26 ~ 60MHz)
Aging for 10 years	± 0.2%
Applicable IC	1/6TC74HCU04 x 2
Package	3000pcs / reel

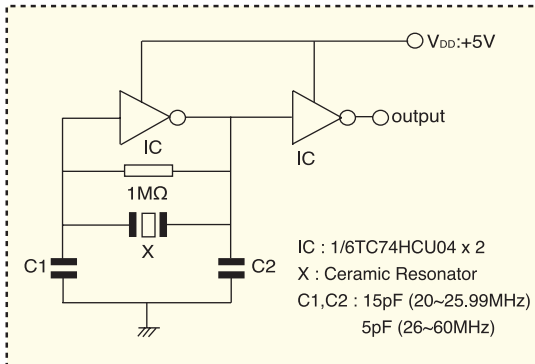
## Dimension (Unit : mm)



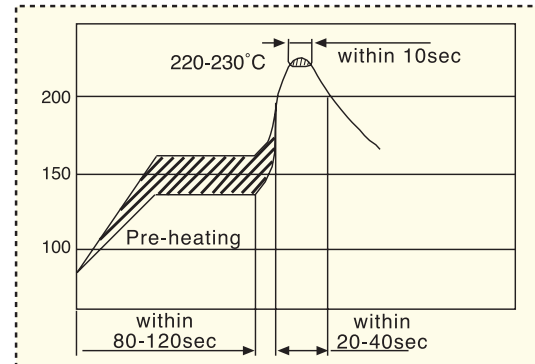
## Recommended Land Pattern



## Test Circuit



## Recommended Reflow Soldering



## Ordering Code

Part Number Code	Holder Type + Frequency + Design Mode
Ordering Code	Same as Above
Example	ZTACW30.0MX