

## ■ Features

- ★ Low cost
- ★ Ex-stock available

## ■ Application

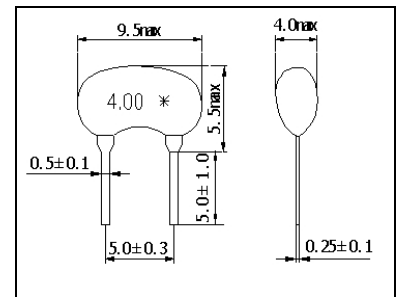
- ★ Microprocessor system
- ★ VCD player
- ★ Home appliance
- ★ Cassette recorder
- ★ Automotive electronics
- ★ Communication equipment
- ★ TV



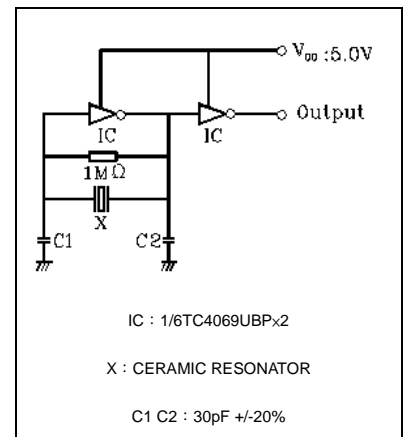
## ■ Specification (Characteristics)

Item	Specification
Oscillation Frequency (MHz)	1.79 ~ 6.00
Frequency Accuracy (%)	±0.5
Resonant Impedance (Ω) max	30
Temperature Coefficient of Oscillation Frequency (%) max	±0.3 (Oscillation Frequency drift, -20°C ~ +80°C)
Aging Rate (%) max	±0.3 (For Ten Years)
Rating Voltage (V) max	6VDC 15Vp-p
Insulation Resistance (MΩ) min	500 (Applied D.C. 10V)
Withstanding Voltage	100VDC · 5 second max

## ■ Dimension (Unit: mm)



## ■ Test Circuit



## ■ Part Number and Ordering

Part Number Code	Holder Type + Frequency + Design Mode
Ordering Code	Same as Above
Example	ZTAWS4.0MG