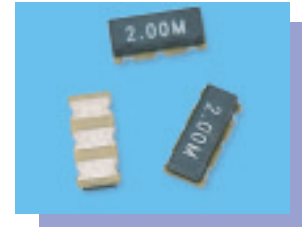


Features

- ★ Low cost
- ★ With built in capacitor
- ★ Low frequency range

Applications

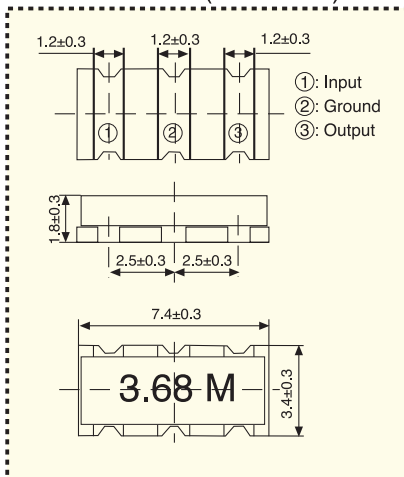
- ★ Microprocessor system
- ★ Pager
- ★ Remote controller
- ★ Cassette recorder
- ★ Telephone
- ★ Communication equipment
- ★ TV
- ★ VCD player



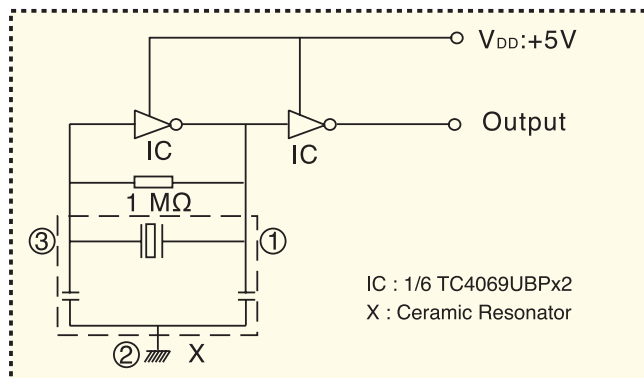
Specifications (Characteristics)

Item	Specifications
Frequency Range	1.800MHz~8.00MHz
Frequency Accuracy	± 0.5%
Temperature Stability at -20°C ~ +80°C	± 0.3%
Internal Capacitance	C1, C2 : 22pF
Aging for 10 years	± 0.3%
Applicable IC	1/6 TC 4069 UBXP2
Package	4000pcs / reel

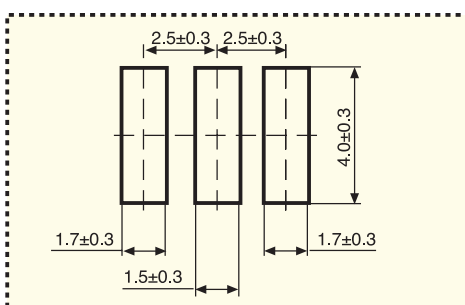
Dimension (Unit : mm)



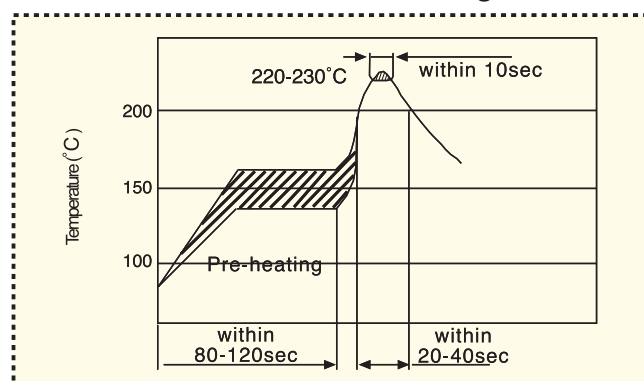
Test Circuit



Recommended Land Pattern



Recommended Reflow Soldering



Ordering Code

Part Number Code	Holder Type + Frequency + Design Mode
Ordering Code	Same as Above
Example	ZTTCC4.19MG