

Features

- ★ Small size
- ★ Very low profile

Applications

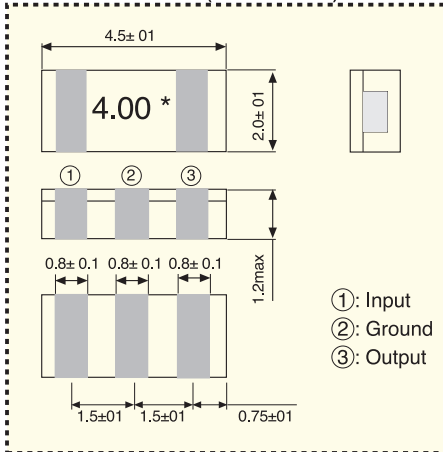
- ★ Consumer electronics
- ★ Office automation equipments
- ★ Cordless telephones
- ★ Audio-visual applications
- ★ Automotive electronics



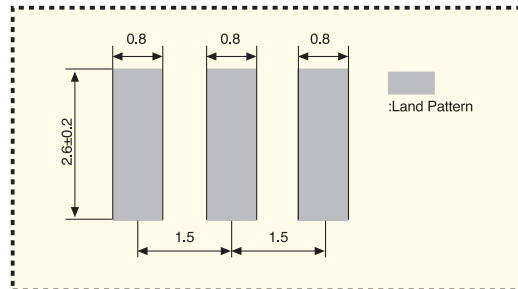
Specifications (Characteristics)

Item	Specifications
Frequency Range	4MHz~8MHz
Frequency Accuracy	± 0.5%
Temperature Stability at -25°C ~ +85°C	± 0.3%
Internal Capacitance	C1, C2 : 22pF
Aging for 10 years	± 0.3%
Applicable IC	1/6 TC 4069 UBXP2
Package	4000pcs / reel

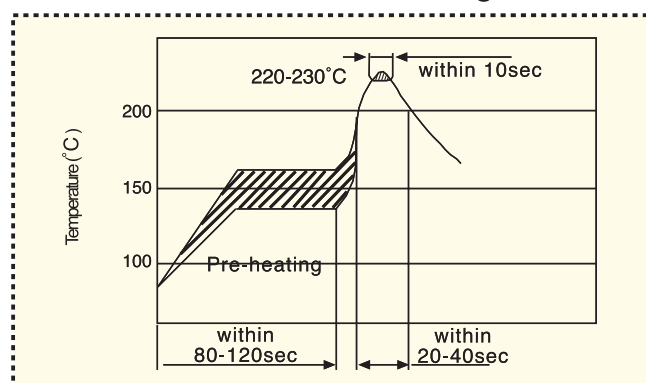
Dimension (Unit : mm)



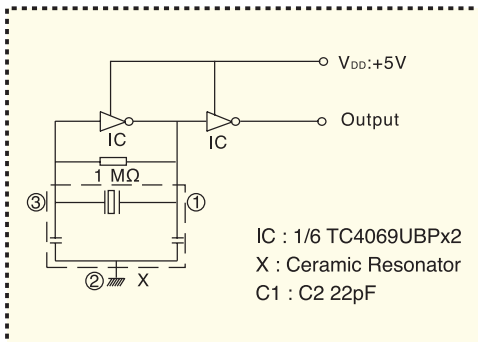
Recommended Land Pattern



Recommended Reflow Soldering



Test Circuit



Ordering Code

Part Number Code	Holder Type + Frequency + Design Mode
Ordering Code	Same as Above
Example	ZTTCR4.0MG