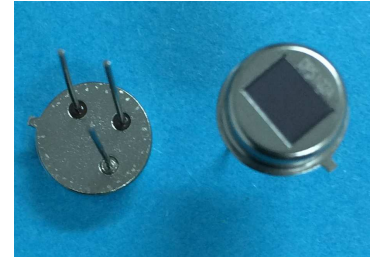


## ■ Features

- ★ Reliable performance
- ★ Excellent Quality
- ★ High stability against ambient temperature change
- ★ Excellent immunity characteristic to EMC

## ■ Application

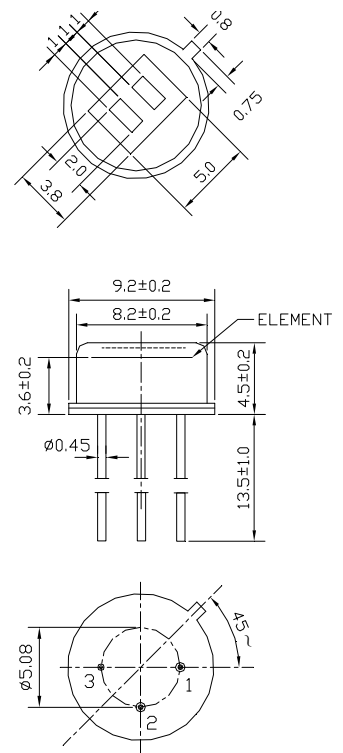
- ★ Human Detection
  - ★ IP camera , Thermostat / Door bell
- Security, Lighting System



## ■ Specification (Characteristics)

Item	Specification
Element Size	2mm×1mm, 2 elements
Window Size	5mm×3.8mm
Spectral Response	5-14μm
Transmission	≥75%
Signal Output (Vp-p)	≥3500mV
Responsivity	≥3300V/W
Detectivity	≥1.4×10 <sup>8</sup> cmHz <sup>1/2</sup> /W
Noise (Vp-p)	<70mV
Offset Voltage	0.3-1.5V
Supply Voltage	3-15V
Operation Temperature	-30℃ to +70℃
Storage Temperature	-40℃ to +80℃

## ■ Dimension (Unit: mm)



Pin No.	Function
Pin 1	Drain
Pin 2	Source
Pin 3	Ground

## ■ Part Number and Ordering

Part Number Code	Product code + Model no
Ordering Code	ADSP102A