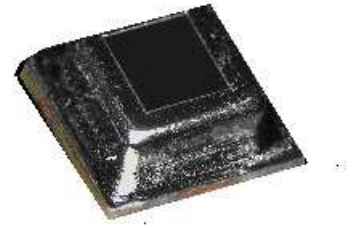


■ Features

- ★ Reliable performance
- ★ Excellent Quality
- ★ High stability against ambient temperature change
- ★ Excellent immunity characteristic to EMC

■ Application

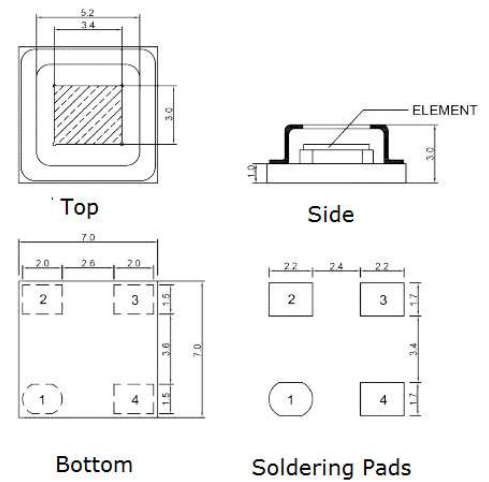
- ★ Human Detection
- ★ IP camera , Thermostat / Door bell
- ★ Security, Lighting System



■ Specification (Characteristics)

Item	Specification
Element Size	2mm×1mm, 2 elements
Window Size	3.4mm×3.0mm
Spectral Response	5-14μm
Transmission	≥75%
Signal Output (Vp-p)	≥100mV (under 100 gain)
Noise (Vp-p)	<200mVp-p (under 4200 gain)
Offset Voltage	0.3-1.5V
Supply Voltage	3-15V
Operation Temperature	-30°C to +70°C
Storage Temperature	-40°C to +80°C

■ Dimension (Unit: mm)



■ Part Number and Ordering

Part Number Code	Product code + Model no
Ordering Code	ADPS206B

Pin No.	Function
Pin 1	Drain
Pin 2	Ground
Pin 3	Output
Pin 4	Ground