

## Features

- ★ For various IC
- ★ Very low profile

## Applications

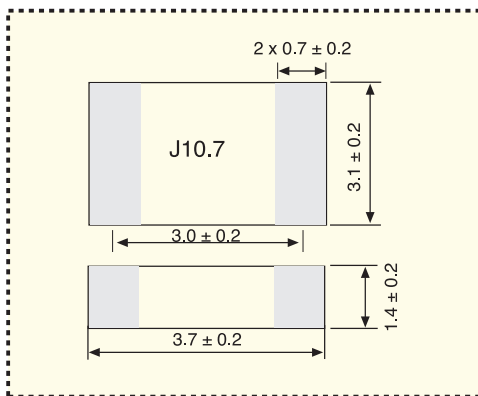
- ★ FM
- ★ Communication



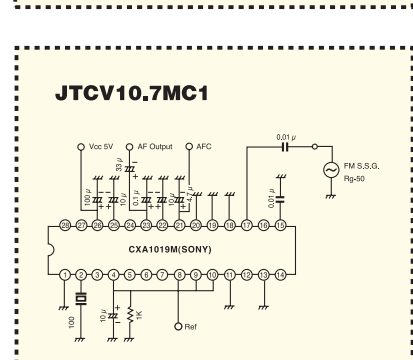
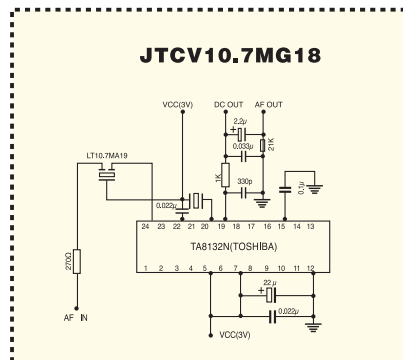
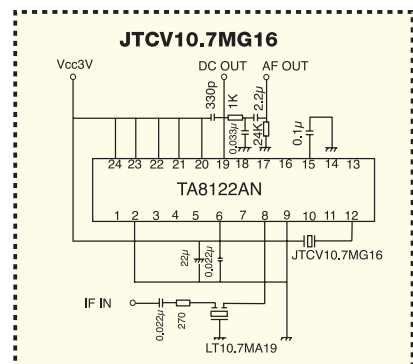
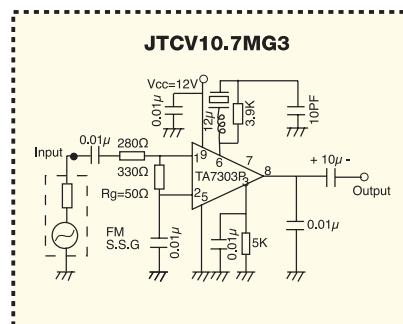
## Specifications (Characteristics)

Part Number	Center Frequency	Demodulation Output at fo Min	Distortion Factor at fo Max	Demodulation 3dB Bandwidth Min	Applicable IC
JTCV10.7MG1	10.7MHz ± 30KHz	25mV	1.0%	345KHz	CX-2009, CX-20111
JTCV10.7MG3	10.7MHz ± 30KHz	650mV	1.0%	±150KHz	TA7303P, TA7130, μPC1028H, LA1150
JTCV10.7MG16	10.7MHz ± 30KHz	60~90mV	0.9%	300KHz	TA8122AN
JTCV10.7MG18	10.7MHz ± 30KHz	60~90mV	0.9%	300KHz	TA8132N
JTCV10.7MG33	10.7MHz ± 30KHz	45mV	0.7%	250KHz	TA2007
JTCV10.7MG80	10.7MHz ± 30KHz	65mV	1.0%	300KHz	TA2104AFN
JTCV10.7MG82	10.7MHz ± 30KHz	90mV	0.8%	320KHz	TA2099N
JTCV10.7MG92	10.7MHz ± 30KHz	60mV	1.0%	300KHz	TA2132P
JTCV10.7MC1	10.7MHz ± 30KHz	35mV	1.0%	242KHz	CXA1019M, CX-20091

## Dimension (Unit: mm)



## Test Circuit



## Ordering Code

Part Number Code	Holder Type + Frequency + Design Mode
Ordering Code	Same as Above
Example	JTCV10.7MG3