

Dielectric Antenna for GPS + GLONASS

Features

- ★ Low height
- ★ Small package
- ★ High gain

Applications

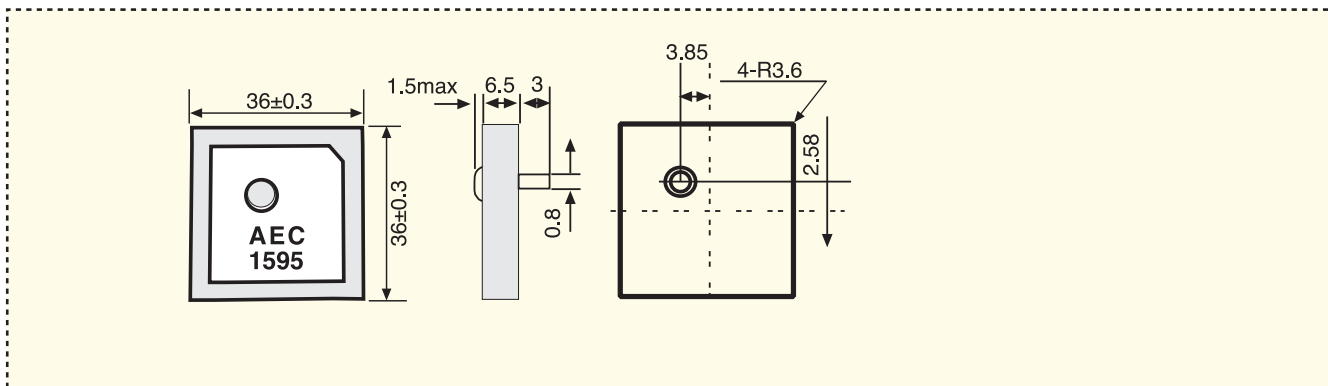
- ★ Mobile phone
- ★ GPS
- ★ Cordless phone



Specifications (Characteristics)

Part Number	Character Frequency (MHz)	Frequency (MHz)	Band Width (MHz)	V.S.W.R. (in BW dB)	Gain	Impedance (Ω)	Dimension (mm)
DAA1575UN1609F1	1575.42	1590	≥ 44	≤ 1.5	5.5	50	36 x 36 x 6.5
	1609						
DAA1575UN1609G1	1575.42	1595	≥ 44	≤ 1.5	5.5	50	36 x 36 x 6.5
	1609						
DAA1575UN1609H1	1575.42	1600	≥ 44	≤ 1.5	5.5	50	36 x 36 x 6.5
	1609						
DAA1575UN1609I1	1575.42	1605	≥ 44	≤ 1.5	5.5	50	36 x 36 x 6.5
	1227.60						
DAS1575UN1227	1575.42	1575	≥ 20	≤ 1.5	4.5	50	50.5 x 50.5 x 6.5
	1227.60	1227	≥ 7				

Dimension (Unit : mm)



Part Number and Ordering Code

Part Number Code	Product Code Dielectric Antenna	Structure Mode (S : Single Deviation, A : Double Deviation)	Character Frequency First Frequency	Un : Unite	Character Frequency Second Frequency	Center Frequency F1 : 1590MHz G1 : 1595MHz H1 : 1600MHz I1 : 1605MHz
Ordering Code	Same As Above					
Example	DA	A	1575	UN	1609	F1