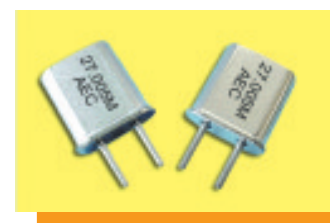


## Features

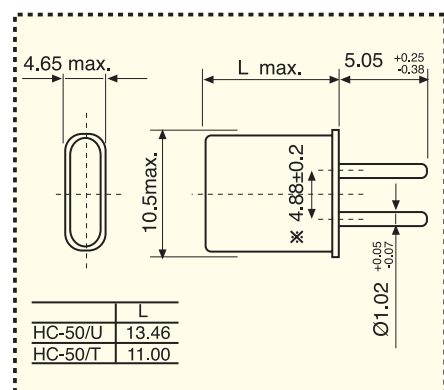
- ★ Precise Tolerance and Stability
- ★ Offer Fitted Insulators.
- ★ Resistance Weld Seal
- ★ Large range of Choice of Frequency

## Applications

- ★ Microprocessor system
- ★ Automotive electronics
- ★ Motherboard of computer
- ★ Consumer electronics
- ★ Data communication equipmen
- ★ CD ROM



## Dimension (Unit: mm)



**Table 1**

Frequency Range (MHz)	ESR (Ω)Max
20.000~39.999	50
40.000~80.000	40

## Specification (Characteristics)

Item	Symbol	Specifications
Frequency Range	f	20.0 ~ 80MHz
Vibration Mode	-	AT Fund. (20 ~ 25MHz) 3rd O/T(25.1 ~ 80MHz)
Frequency Tolerance at 25°C	Δf/f	±10 ppm ±20 ppm ±30 ppm ★ ±50 ppm
Frequency Stability in Operating Temp. Range	Δf/f	±10 ppm ±20 ppm ±30 ppm ★ ±50 ppm
Load Capacitance	CL	12pF 16pF 18pF 20pF 32pF or series
Operating Temp. Range	Topr	0°C ~ +50°C -10°C ~ +60°C ★ -20°C ~ +70°C -40°C ~ +85°C
Storage Temp. Range	Tstg	-40°C ~ +85°C
Equivalent Series Resistance(ESR)	Rs	See Table 1
Drive Level	PWR	0.1, 0.5, 1mW
Shunt Capacitance	C0	7.0pF Max.
Insulation Resistance	IR	500MΩ at DC100 V
Aging	fa	±5 ppm / Year (Max)
Packing		Bulk 100pcs per polybags 500pcs per inner box, 10,000pcs per export carton

★ Commonly Used

## Part Number and Ordering

Part Number Code	Holder Type + Frequency + Mode of Vibration+ Tolerance/Stability + RS + CL
Ordering Code	Same as Above
Example	50U(50T)-20M-AF-30/50-50Ω -16P