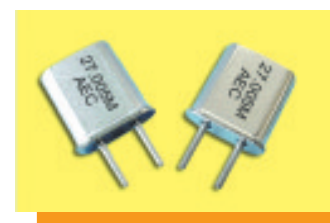


Features

- ★ Precise Tolerance and Stability
- ★ Offer Fitted Insulators.
- ★ Resistance Weld Seal
- ★ Large range of Choice of Frequenc

Applications

- ★ Microprocessor system
- ★ Automotive electronics
- ★ Motherboard of computer
- ★ Consumer electronics
- ★ Data communication equipmen
- ★ CD ROM



Dimension (Unit: mm)

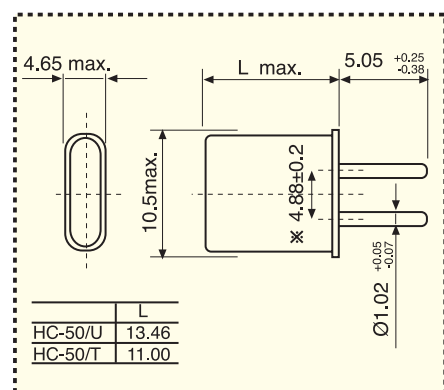


Table 1

| Frequency Range (MHz) | ESR (Ω)Max |
|-----------------------|------------|
| 20.000~39.999 | 50 |
| 40.000~80.000 | 40 |

Specification (Characteristics)

| Item | Symbol | Specifications |
|--|--------|--|
| Frequency Range | f | 20.0 ~ 80MHz |
| Vibration Mode | - | AT Fund. (20 ~ 25MHz) 3rd O/T(25.1 ~ 80MHz) |
| Frequency Tolerance at 25°C | Δf/f | ±10 ppm ±20 ppm ±30 ppm ★ ±50 ppm |
| Frequency Stability in Operating Temp. Range | Δf/f | ±10 ppm ±20 ppm ±30 ppm ★ ±50 ppm |
| Load Capacitance | CL | 12pF 16pF 18pF 20pF 32pF or series |
| Operating Temp. Range | Topr | 0°C ~ +50°C -10°C ~ +60°C ★ -20°C ~ +70°C -40°C ~ +85°C |
| Storage Temp. Range | Tstg | -40°C ~ +85°C |
| Equivalent Series Resistance(ESR) | Rs | See Table 1 |
| Drive Level | PWR | 0.1, 0.5, 1mW |
| Shunt Capacitance | C0 | 7.0pF Max. |
| Insulation Resistance | IR | 500MΩ at DC100 V |
| Aging | fa | ±5 ppm / Year (Max) |
| Packing | | Bulk 100pcs per polybags 500pcs per inner box, 10,000pcs per export carton |

★ Commonly Used

Part Number and Ordering

| Part Number Code | Holder Type + Frequency + Mode of Vibration+ Tolerance/Stability + RS + CL |
|------------------|--|
| Ordering Code | Same as Above |
| Example | 50U(50T)-20M-AF-30/50-50Ω -16P |