

## Features

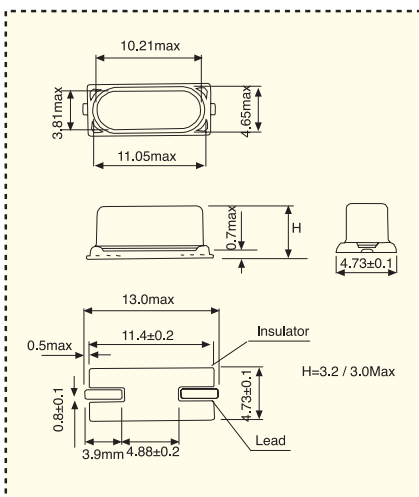
- ★ High-stability
- ★ Small package
- ★ Wide frequency range
- ★ Low profile
- ★ Suitable for small telecommunication equipment

## Applications

- ★ Microprocessor systems
- ★ Telecommunication equipment
- ★ Instrumentation
- ★ Remote control
- ★ Consumer electronics
- ★ Audio / video



## Dimension (Unit: mm)



**Table 1**

Frequency (MHz)	Vibration Mode	ESR Max $\Omega$
3.2 ~ 3.49	Fundamental	180
3.5 ~ 4.49	Fundamental	150
4.5 ~ 5.99	Fundamental	120
6.0 ~ 7.99	Fundamental	100
8.0 ~ 9.99	Fundamental	80
10.0 ~ 11.9	Fundamental	70
12.0 ~ 15.9	Fundamental	60
16.0 ~ 19.9	Fundamental	50
20.0 ~ 25.9	Fundamental	40
26.0 ~ 39.9	3rd O/T	100
40.0 ~ 100.0	3rd O/T	80

## Specifications (Characteristics)

Item	Symbol	Specification
Frequency Range	f	3.2 ~ 100MHz
Vibration Mode	-	Fund. ( 3.2 ~ 26MHz) 3rd O/T (26 ~ 100MHz)
Frequency Tolerance At (25°C ±2°C)	$\Delta f/f$	±10 ppm ±20 ppm ±30 ppm ★
Frequency Stability over Operating Temperature	$\Delta f/f$	±5 ppm ±10 ppm ±20 ppm ±30 ppm ★
Load Capacitance	CL	16 ~ 32pF or series
Operating Temp. Range	Topr	-10°C ~ +60°C ★ -20°C ~ +70°C
Storage Temp. Range	Tstg	-30°C ~ +80°C
Resistance of Serie Resonance	Rs	See Table 1
Drive Level	PWR	100μW
Shunt Capacitance	C0	7.0pF Max.
Insulation Resistance	IR	500MΩ at DC100 V
Aging Level	fa	±5.0ppm/yr @ 25°C
Packing		Bulk 100pcs per polybags 500pcs per inner box 10,000 per export carton Tape and Reel 1,000pcs per reel. 10,000pcs per export carton

★ Commonly used

## Part Number and Ordering

Part Number Code	Holder Type + Frequency + Mode of Vibration + Tolerance/Stability + RS + Cl
Ordering Code	Same as Above
Example	49S3HSMD-12M-AF-30/30-60Ω-30P