

**Features**

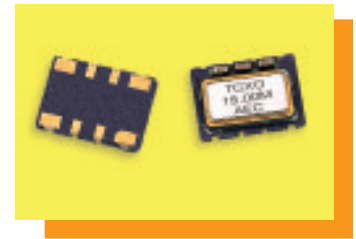
- ★ Compactness
- ★ High accuracy

- ★ Low height
- ★ Outstanding durability against heat

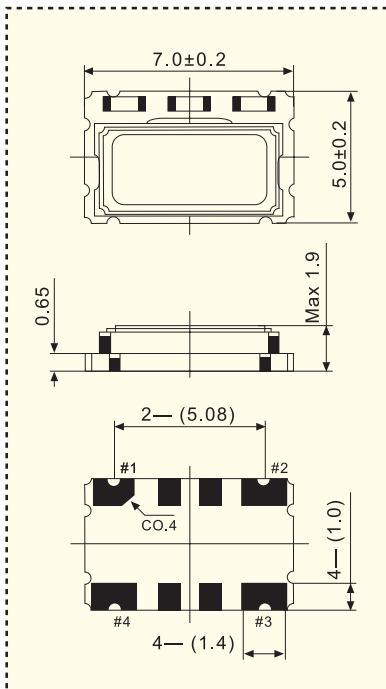
**Applications**

- ★ Cellular telephone
- ★ GPS

- ★ PHS
- ★ other telecommunication equipment



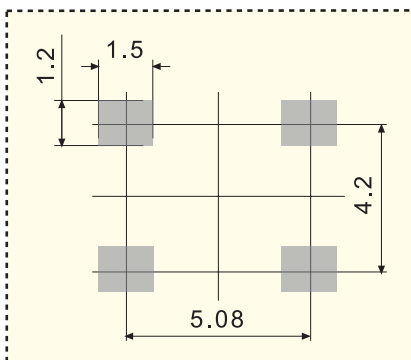
**Dimension (Unit: mm)**



**Connection**

Terminal	Connection	
	TCXO	VC-TCXO
#1	GND	VCONT
#2	GND	
#3	OUTPUT	
#4	VCC	

**Soldering Pattern (Unit: mm)**



**Specifications (Characteristics)**

Item	Unit	TCXO	VCTCXO	
Frequency Range	MHz	12 ~ 20		
Nominal Frequency	MHz	12.8, 13.000, 14.400, 15.360, 19.200, 19.680		
Frequency	Tolerance	ppm		
		$\pm 0.5$		
Stability	Temperature	ppm		
		$\pm 2.5 (-30^\circ\text{C} \sim +75^\circ\text{C})$		
	Aging	ppm		
		$\pm 1.0$ / year ( $25^\circ\text{C}$ )		
Supply Voltage	Change	ppm		
		$\pm 0.3$ / $(+3.0\text{V} \pm 5\%)$		
Operating Temperature Range	$^\circ\text{C}$	$-30 \sim +75$		
Storage Temperature Range	$^\circ\text{C}$	$-40 \sim +85$		
Power supply voltage	VDC	$+2.8 \sim +5.0$		
Current Consumption	mA	2 Max(Load.)		
Output	Load	10K $\Omega$ //10pF		
	Voltage	V	0.8Vp-p Min.	
	Waveform	Clipped Sine Wave		
External Control Function				
Frequency Tuning Range		$\pm 4.0 \times 10^{-6}$ Min. (Positive)		
External control voltage	VDC	-----	$+1.5 \pm 0$	
Phase Noise		$-125$ dBc /Hz Typical (at 1.0KHz)		

**Part Number and Ordering**

Part Number Code	Holder Type + Frequency + Tolerance + Stability VS Temp. + Operating Temp. + PPM/VDC(VCTCXO) + Supply voltage
Ordering Code	Same as Above
Example	TCXO/SMD7050-19.2M-0.5-2.5- -30/+75-3V